

FIGURE 1

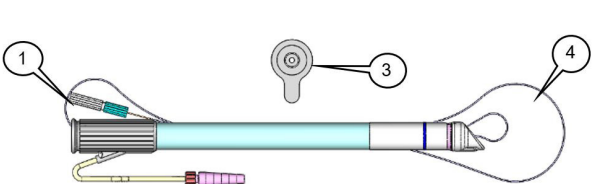


FIGURE 2

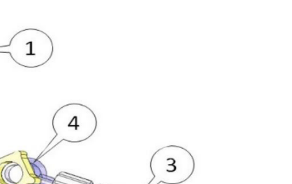
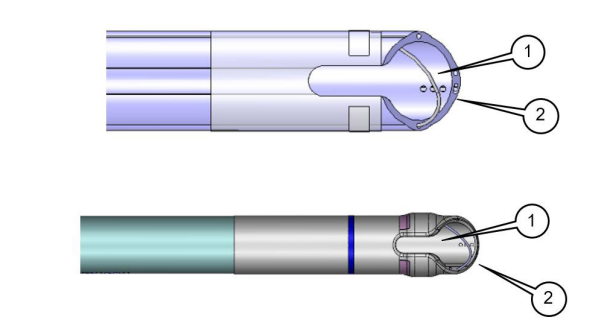


FIGURE 3

Table with 2 columns: Symptom, Action. Lists symptoms like 'Unable to advance instruments within canals' and corresponding actions like 'Lubricate canals with sterile water'.

FIGURE 4



PO13157 Rev D (US) restricts this device to sale by or on the order of a physician.

PRODUCT DESCRIPTION: The Canals with Guide (CCK-4130 & CCK-4140) is provided sterile, for single-use only. This product may be used in conjunction with the following devices produced separately:

INDICATIONS: The Canals with Guide is indicated for endoscopic use to provide cardiobascular surgical access for AtriCure instrumentation.

CONTRAINDICATIONS: None are known contraindications.

WARNINGS: The Canals with Guide is intended for single use only. Do not reprocess or reuse.

PRECAUTIONS: Endoscopic procedures should be performed only by physicians with adequate training with endoscopic techniques.

POTENTIAL COMPlications OF THE USE OF THE CANALS WITH GUIDE: (1) Tissue trauma to adjacent organs.

RECOMMENDED EQUIPMENT: 1. Vacuum tubing Set (CCK-1300).

CANAL SETUP: 1. Inspect all components. Check packaging to ensure there has been no product damage.

REQUIRED EQUIPMENT AND SUPPLIES PROVIDED BY HOSPITAL: 1. Vacuum tubing Set (CCK-1300).

CANAL DEPLOYMENT AND MANIPULATION: 1. Remove finger from the end of the guidewire and thread guidewire through available lumen.

CAUTION: Failure to replace torques correctly may result in permanent damage to the guidewire.

FIGURE 4. Canals with Guide in Guidewire Deployment Position: (1) Guidewire, (2) Distal End of Canals.

WARNING: Insertion or removal of the Canals with Guide white guidewire is intended as cause potential patient harm.

5. Before inserting instruments, lubricate canals lumen by injecting approximately 20 sterile water or saline through hole in the canals cap.

CAUTION: Do not manipulate canals by grasping the tab of the canals cap. Doing so may loosen or remove canals cap from canals casting rod functionality.

ATTENTION: Do not use the over-the-wire device. Remove the canals cap fully after the canals have fallen to the canals cap and the over-the-wire device.

TROUBLESHOOTING: 1. Unable to advance instruments within canals.

ABBREVIATIONS: - IFR: Instructions for Use

WARNANT INFORMATION: AtriCure warrants that reasonable care has been used in the design and manufacture of this instrument.

DISCLAIMER: The manufacturer is not responsible for any injuries or loss of product due to its use, including but not limited to, ensuring that the product is used as intended.

CAUTION: Federal Law (US) restricts this device to sale by or on the order of a physician.

PO13157 Rev D (US) restricts this device to sale by or on the order of a physician.

INDICATIONS: The Canals with Guide is indicated for endoscopic use to provide cardiobascular surgical access for AtriCure instrumentation.

CONTRAINDICATIONS: None are known contraindications.

WARNINGS: The Canals with Guide is intended for single use only. Do not reprocess or reuse.

PRECAUTIONS: Endoscopic procedures should be performed only by physicians with adequate training with endoscopic techniques.

POTENTIAL COMPlications OF THE USE OF THE CANALS WITH GUIDE: (1) Tissue trauma to adjacent organs.

RECOMMENDED EQUIPMENT: 1. Vacuum tubing Set (CCK-1300).

CANAL SETUP: 1. Inspect all components. Check packaging to ensure there has been no product damage.

REQUIRED EQUIPMENT AND SUPPLIES PROVIDED BY HOSPITAL: 1. Vacuum tubing Set (CCK-1300).

CANAL DEPLOYMENT AND MANIPULATION: 1. Remove finger from the end of the guidewire and thread guidewire through available lumen.

CAUTION: Failure to replace torques correctly may result in permanent damage to the guidewire.

FIGURE 4. Canals with Guide in Guidewire Deployment Position: (1) Guidewire, (2) Distal End of Canals.

WARNING: Insertion or removal of the Canals with Guide white guidewire is intended as cause potential patient harm.

5. Avant d'insérer les instruments, lubrifiez le lumen des canaux en injectant environ 20 ml d'eau stérile ou de sérum physiologique à travers le trou de la canule.

ATTENTION: Ne manipulez pas les canaux en saisissant l'onglet de la capot de la canule.

ATTENTION: Ne pas utiliser de dispositif à sur-torque.

TROUBLESHOOTING: 1. Impossible d'avancer les instruments dans les canaux.

ABBREVIATIONS: - IFR: Instructions for Use

WARNANT INFORMATION: AtriCure warrants that reasonable care has been used in the design and manufacture of this instrument.

DISCLAIMER: The manufacturer is not responsible for any injuries or loss of product due to its use, including but not limited to, ensuring that the product is used as intended.

CAUTION: Federal Law (US) restricts this device to sale by or on the order of a physician.

PO13157 Rev D (US) restricts this device to sale by or on the order of a physician.

INDICATIONS: The Canals with Guide is indicated for endoscopic use to provide cardiobascular surgical access for AtriCure instrumentation.

CONTRAINDICATIONS: None are known contraindications.

WARNINGS: The Canals with Guide is intended for single use only. Do not reprocess or reuse.

PRECAUTIONS: Endoscopic procedures should be performed only by physicians with adequate training with endoscopic techniques.

POTENTIAL COMPlications OF THE USE OF THE CANALS WITH GUIDE: (1) Tissue trauma to adjacent organs.

RECOMMENDED EQUIPMENT: 1. Vacuum tubing Set (CCK-1300).

CANAL SETUP: 1. Inspect all components. Check packaging to ensure there has been no product damage.

REQUIRED EQUIPMENT AND SUPPLIES PROVIDED BY HOSPITAL: 1. Vacuum tubing Set (CCK-1300).

CANAL DEPLOYMENT AND MANIPULATION: 1. Remove finger from the end of the guidewire and thread guidewire through available lumen.

CAUTION: Failure to replace torques correctly may result in permanent damage to the guidewire.

FIGURE 4. Canals with Guide in Guidewire Deployment Position: (1) Guidewire, (2) Distal End of Canals.

WARNING: Insertion or removal of the Canals with Guide white guidewire is intended as cause potential patient harm.

5. Antes de introducir los instrumentos, lubrifique el lumen de los canales al inyectar aproximadamente 20 ml de agua estéril o suero fisiológico a través del agujero de la cánula.

PRECAUTION: No manipular los canales agarrando la pestaña de la tapa de la cánula.

PRECAUTION: No utilizar dispositivos de sobretorque.

TROUBLESHOOTING: 1. No se puede avanzar los instrumentos en los canales.

ABBREVIATIONS: - IFR: Instrucciones de uso

INFORMACIÓN DE ADVERTENCIA: AtriCure garantiza que se ha utilizado el cuidado razonable en el diseño y la fabricación de este instrumento.

DISCLAIMER: El fabricante no es responsable por lesiones o pérdida de producto debidas a su uso, incluyendo pero no limitado a, asegurar que el producto se usó como se indicó.

PRECAUTION: Ley Federal (EE.UU.) restringe la venta de este dispositivo solo a través de un médico o por su orden.

PO13157 Rev D (EE.UU.) restringe la venta de este dispositivo solo a través de un médico o por su orden.

INDICACIONES: El Canal con Guía está indicado para su uso endoscópico para proporcionar acceso quirúrgico cardiobascular para la instrumentación de AtriCure.

CONTRAINDICACIONES: No se conocen contraindicaciones.

ADVERTENCIAS: El Canal con Guía está diseñado para un solo uso. No se debe reprocessar o reutilizar.

PRECAUTIONES: Los procedimientos endoscópicos deben ser realizados únicamente por médicos con formación adecuada en el uso de este dispositivo.

POTENTIAL COMPlications OF THE USE OF THE CANALS WITH GUIDE: (1) Trauma to adjacent organs.

RECOMMENDED EQUIPMENT: 1. Vacuum tubing Set (CCK-1300).

CANAL SETUP: 1. Inspect all components. Check packaging to ensure there has been no product damage.

REQUIRED EQUIPMENT AND SUPPLIES PROVIDED BY HOSPITAL: 1. Vacuum tubing Set (CCK-1300).

CANAL DEPLOYMENT AND MANIPULATION: 1. Remove finger from the end of the guidewire and thread guidewire through available lumen.

CAUTION: Failure to replace torques correctly may result in permanent damage to the guidewire.

FIGURE 4. Canals with Guide in Guidewire Deployment Position: (1) Guidewire, (2) Distal End of Canals.

WARNING: Insertion or removal of the Canals with Guide white guidewire is intended as cause potential patient harm.

5. Sebelum memasukkan instrumen, lumbriskan saluran lumen dengan menyuntikkan kira-kira 20 ml air steril atau larutan fisiologis melalui lubang pada saluran.

PERINGATAN: Jangan memanipulasi saluran dengan memegang tabung penutup saluran.

PERINGATAN: Jangan menggunakan alat tenaga berlebihan.

SOLUSI MASALAH: 1. Tidak dapat memasukkan instrumen ke dalam saluran.

KEKURANGANN: - IFR: Instruksi untuk digunakan

PERINGATAN: AtriCure menjamin bahwa perawatan yang wajar telah digunakan dalam merancang dan memproduksi instrumen ini.

PENGALIHAN TANGGUNG JAWAB: Produsen tidak bertanggung jawab atas cedera atau kerugian yang disebabkan oleh penggunaan produk ini.

PERINGATAN: Undang-undang Amerika Serikat membatasi penjualan alat ini hanya kepada dokter atau perawat.

PO13157 Rev D (USA) membatasi penjualan alat ini hanya kepada dokter atau perawat.

INDIKASI: Saluran dengan Panduan ini ditunjukkan untuk digunakan untuk menyediakan akses bedah kardiovaskular untuk instrumen bedah AtriCure.

KONTRAINDIKASI: Tidak ada kontraindikasi yang diketahui.

PERINGATAN: Saluran dengan Panduan ini dirancang untuk sekali pakai. Jangan diproses ulang.

PERINGATAN: Prosedur endoskopi harus dilakukan oleh dokter dengan pelatihan yang memadai dengan teknik endoskopi.

POTENTIAL COMPlications OF THE USE OF THE CANALS WITH GUIDE: (1) Trauma to adjacent organs.

RECOMMENDED EQUIPMENT: 1. Vacuum tubing Set (CCK-1300).

CANAL SETUP: 1. Inspect all components. Check packaging to ensure there has been no product damage.

REQUIRED EQUIPMENT AND SUPPLIES PROVIDED BY HOSPITAL: 1. Vacuum tubing Set (CCK-1300).

CANAL DEPLOYMENT AND MANIPULATION: 1. Remove finger from the end of the guidewire and thread guidewire through available lumen.

PERINGATAN: Gagal mengganti torsi dengan benar dapat mengakibatkan kerusakan permanen pada saluran.

FIGURE 4. Canals with Guide in Guidewire Deployment Position: (1) Guidewire, (2) Distal End of Canals.

PERINGATAN: Masukkan atau keluarkan Saluran dengan Panduan putih ini sebagai penyebab potensi bahaya pasien.









